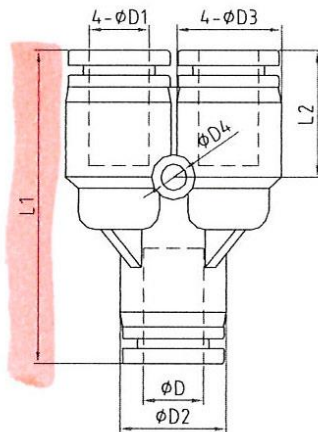


Push-in fittings series manufactured in plastic and nickel-plated brass.
All parts are suitable for use with hoses, tubes or pipes made of plastic and copper.

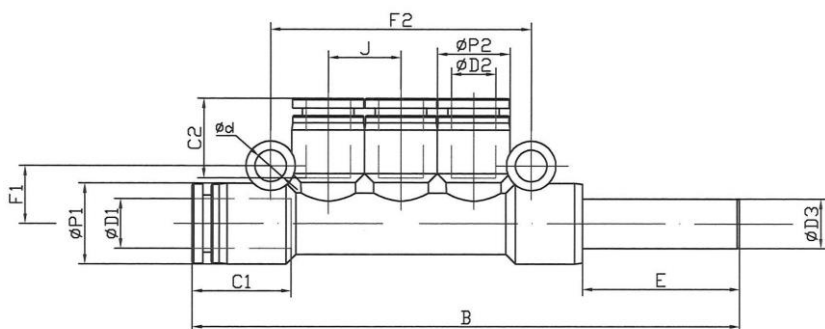
Working pressure:	-0.95 - 10 bar
Max. working pressure short term:	15 bar*
Temperature range:	-20 °C to 80 °C
Material:	Plastic and nickel-plated brass
Sleeve:	Plastic
Sealing surface:	Parallel version: O-ring in housing conical version: PTFE thread coating
Medium:	Compressed air*
Sealant:	NBR
Applications:	Compressed air systems, automotive, packaging industry, vacuum
Recommended hose:	PU or PA (nylon)



218.006-4

Distributor with plug connection, 4 outlets

Art. No.	Type No.	ØD	ØD1	ØD2	ØD3	ØD4	L1	L2
109874	218.006-4	6	4	12.5	10.5	3.2	36.0	14.9
109875	218.008-6	8	6	14.0	12.5	3.2	39.8	15.4

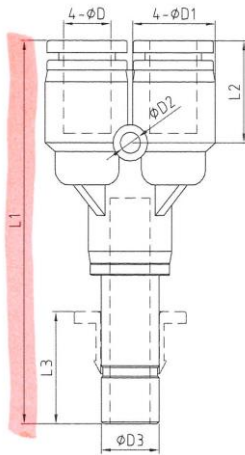


224.008-6

Tee distributor with push-in plug, 3 outlets

Art. No.	Type No.	ØD1	ØD2	ØD3	ØP1	ØP2	J	F1	F2	Ød
109908	224.006-4	4	4	6	14.4	13.0	13.0	9	42	3.2
109909	224.008-4	4	4	8	18.4	14.4	14.5	11	48	4.2
109910	224.008-6	6	6	8	18.4	14.4	14.5	11	48	4.2
135802	224.010-6	6	6	10	18.4	14.4	14.5	11	48	4.2
109911	224.010-8	8	8	10	18.4	14.4	14.5	11	48	4.2

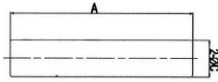
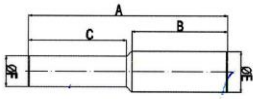
Art. No.	Type No.	C1	C2	B	E
109908	224.006-4	15.5	15.5	81.0	20.0
109909	224.008-4	18.0	15.5	104.5	22.0
109910	224.008-6	18.0	15.5	106.0	23.5
135802	224.010-6	22.0	18.0	105.5	22.0
109911	224.010-8	22.0	18.0	109.5	26.0



223.006-4

Distributor with push-in plug, 4 outlets

Art. No.	Type No.	ØD3	ØD	ØD1	ØD2	L	L1	L2	L3
109912	223.006-4	6	4	11.3	3.2	11	52.8	15.0	13
109913	223.008-6	8	6	13.3	3.2	13	58.0	15.5	14

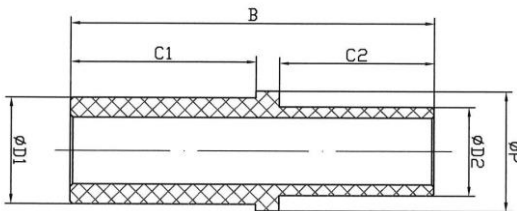


178.008

Push-in plug

Only recommended for use in combination with quick connectors of the »Blue series«. Suitability testing for use with other series is the responsibility of the user.

Art. No.	Type No.	A	ØC
109914	178.004	36.0	4
109915	178.006	38.0	6
109916	178.008	38.0	8
109917	178.010	40.2	10
109918	178.012	44.0	12
135803	178.016	56.0	16



179.0604

Push-in plug, unequal

Only recommended for use in combination with quick connectors of the »Blue series«. Suitability testing for use with other series is the responsibility of the user.

Art. No.	Type No.	ØD1	ØD2	Material	C1	C2	B	ØP
109919	179.0604	6	4	Plastic	19.0	17.0	37.5	7.0
109920	179.0804	8	4	Plastic	21.5	17.0	40.5	9.0
109921	179.0806	8	6	Plastic	21.5	19.0	42.5	9.0
109922	179.1006	10	6	Plastic	23.0	19.0	44.5	11.0
109923	179.1008	10	8	Plastic	23.0	21.5	47.0	11.0
109924	179.1208	12	8	Plastic	25.0	21.5	49.5	13.5
109925	179.1210	12	10	Plastic	25.0	23.0	51.0	13.5
135804	179.1612	16	12	Nickel-plated brass	24.8	22.5	54.0	-

* The suitability test for the use with alternative specifications is the user's responsibility.